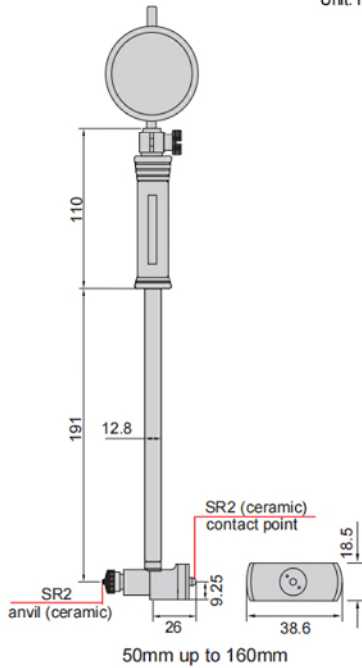


ATTENTION: NOT SUITABLE
FOR 0.001MM DIAL INDICATORS

BORE GAUGES (WITH CENTERING PLATE)

Unit: mm

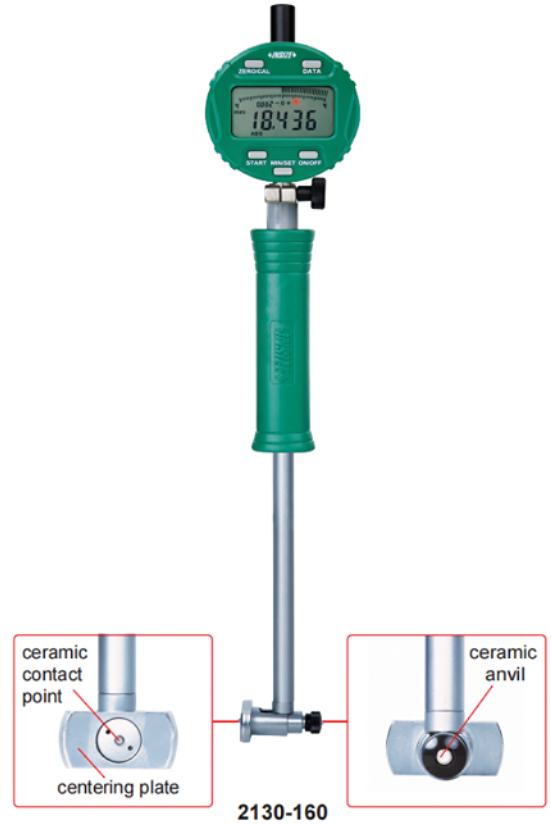


- Optional accessory: setting ring (code **6312**), long handle (code **7351**), bore gage setter



2530-160

2130-160WP



2130-160

With dial indicator

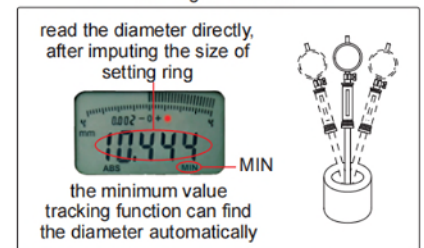
Code	Range	Indicator	Accuracy	Repeatability
2530-100	50-100mm	dial indicator, range 10mm, graduation 0.01mm (code 2308-10FA)	±0.018mm	0.003mm
2530-160	50-160mm		±0.018mm	0.003mm
2530-161	100-160mm		±0.018mm	0.003mm

With digital indicator

(data output cable code **7315-51B** need receiver, **7302-40M**, optional)

Code	Range	Indicator	Accuracy	Repeatability
2130-100	50-100mm	digital indicator, code 2108-10F , range 12.7mm/0.5", resolution 0.002mm/0.0001" (can switch to 0.01mm/0.0005")	±0.018mm	0.003mm
2130-160	50-160mm		±0.018mm	0.003mm
2130-161	100-160mm		±0.018mm	0.003mm

with digital indicator



With waterproof digital indicator

(data output cable code **7315-51B** need receiver, **7302-40M**, optional)

Code	Range	Indicator	Accuracy	Repeatability
2130-100WP	50-100mm	waterproof digital indicator, code 2137-10F , range 12.7mm/0.5", dust/waterproof IP54, resolution 0.002mm/0.0001" (can switch to 0.01mm/0.0005")	±0.018mm	0.003mm
2130-160WP	50-160mm		±0.018mm	0.003mm
2130-161WP	100-160mm		±0.018mm	0.003mm

with waterproof digital indicator

